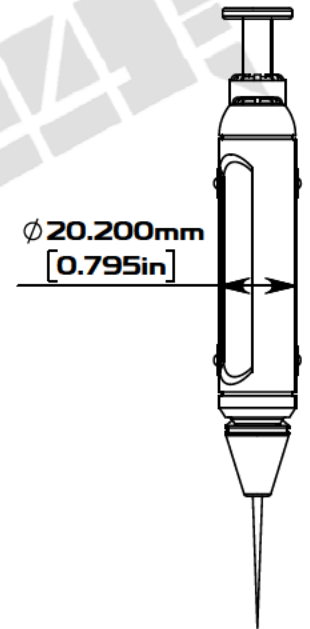
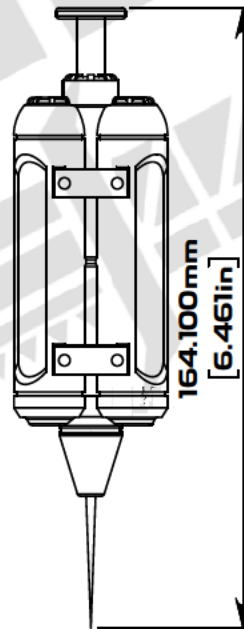
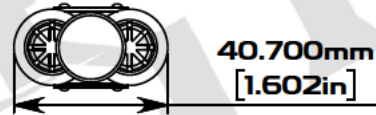


ITEM NO.	PART NUMBER	QTY
1	Daddy-O_Top	1
2	Daddy-O_Btm	1
3	Alignment Pin	2
4	Plunger	1
5	Connecting Plate	4



Scale 1:2

Project		REV	
Fallout 4 Daddy-O		01	
Description			
Exploded View & Bill of Materials			
% Infill	Supports Necessary	Material	Weight
15%	No	PLA	24.2 g
STL File Name	SCALE	DATE	SHEET
STL	1:1	05.01.2018	1 of 1