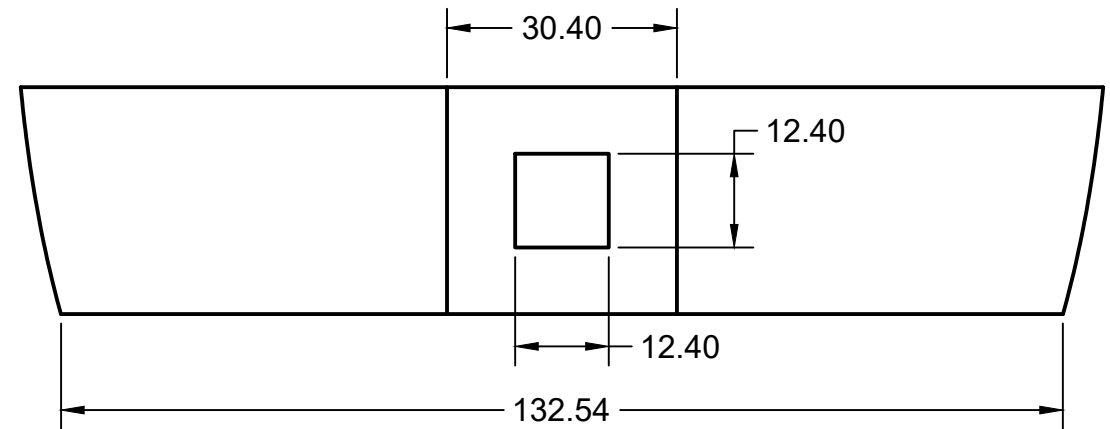
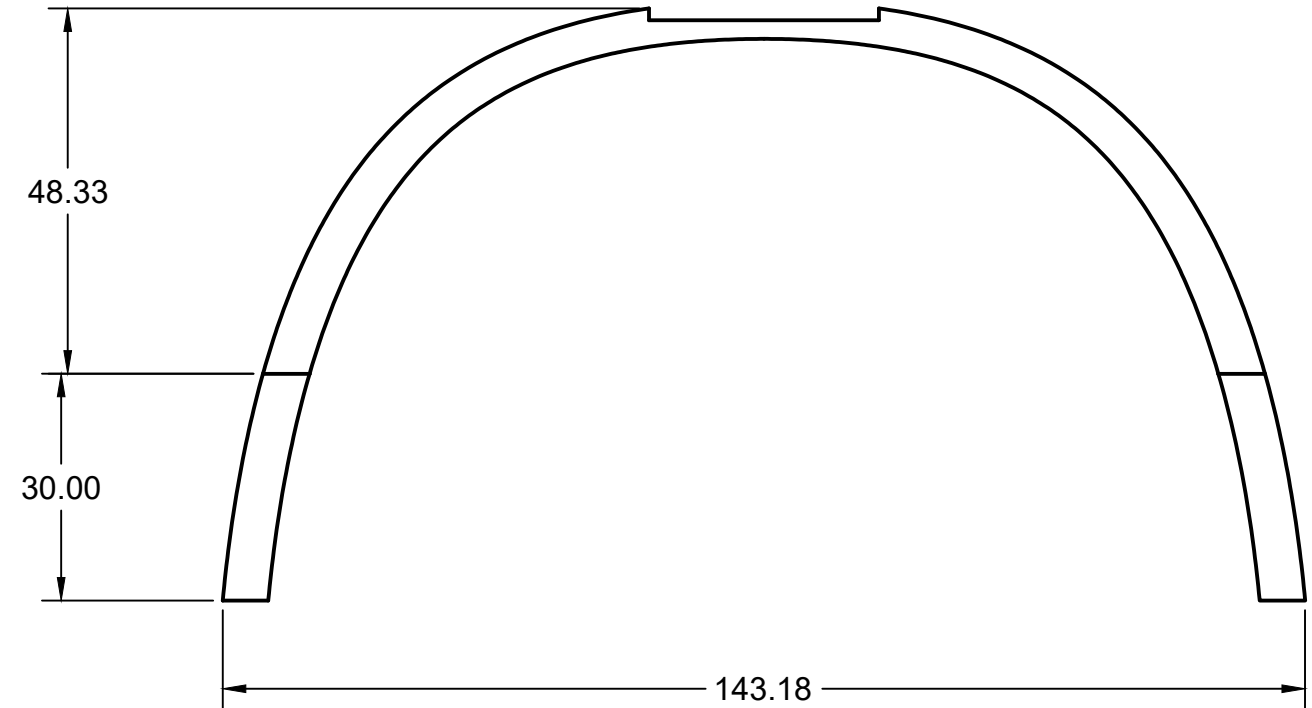
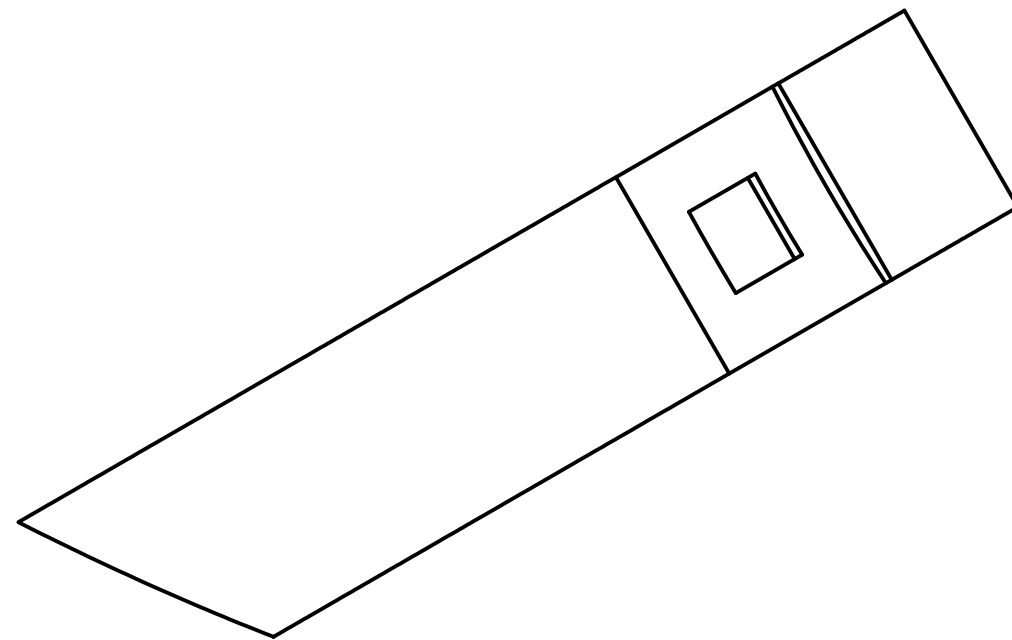
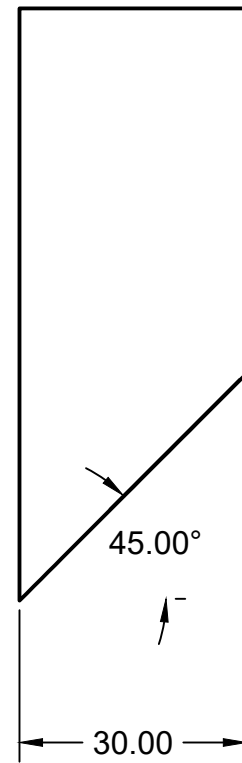
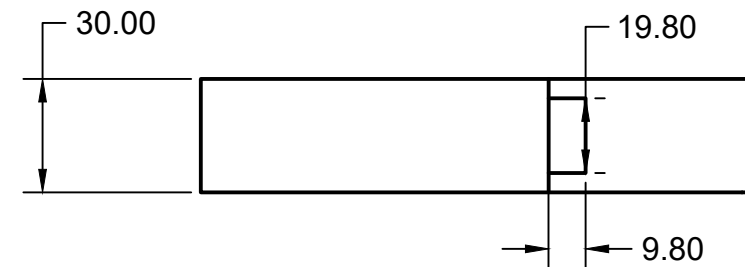
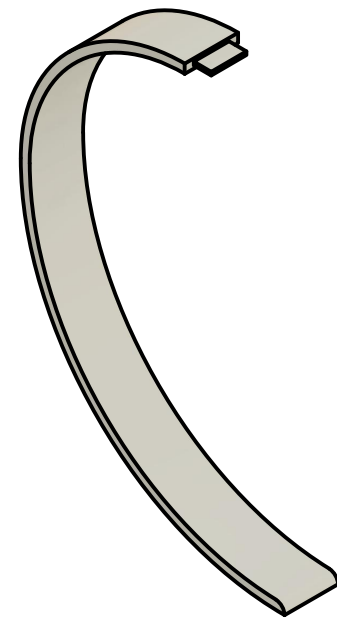
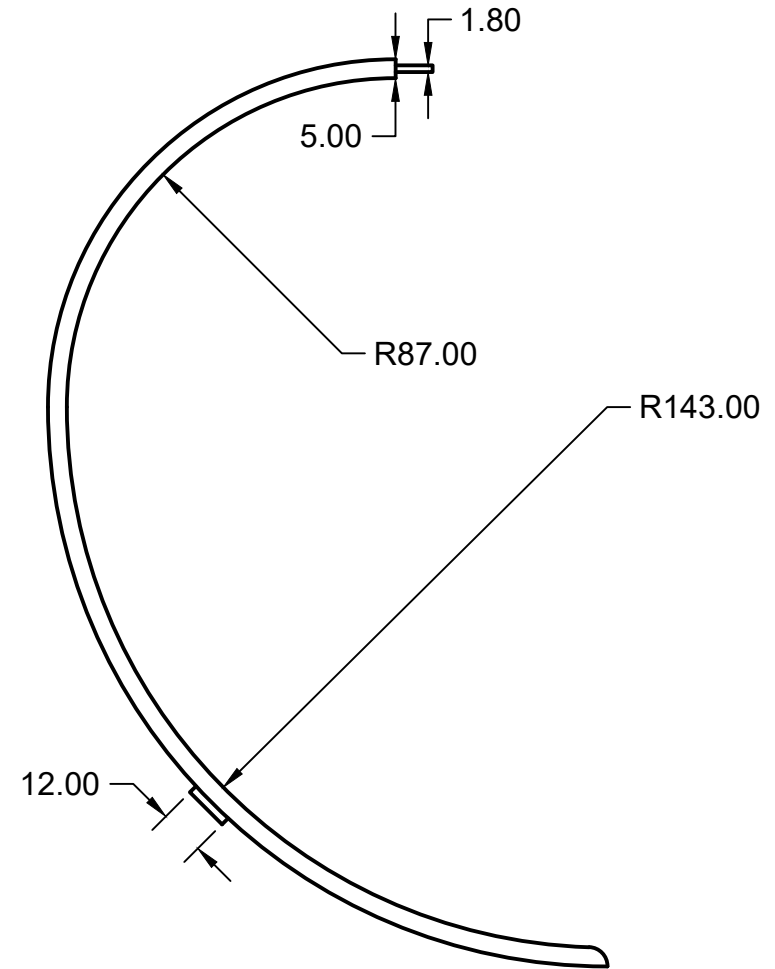
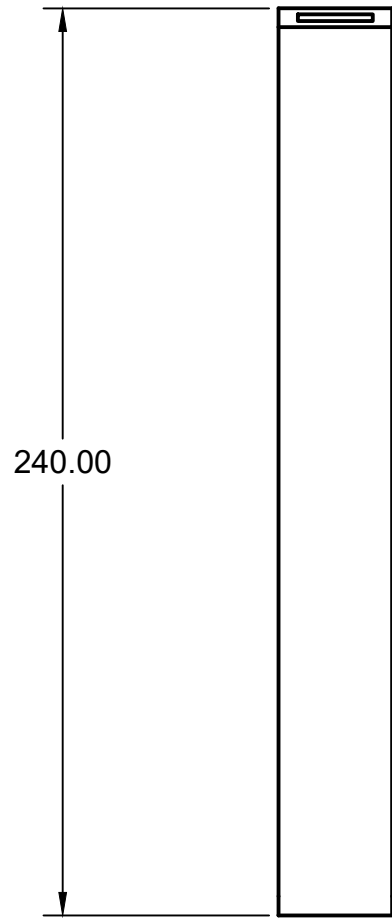


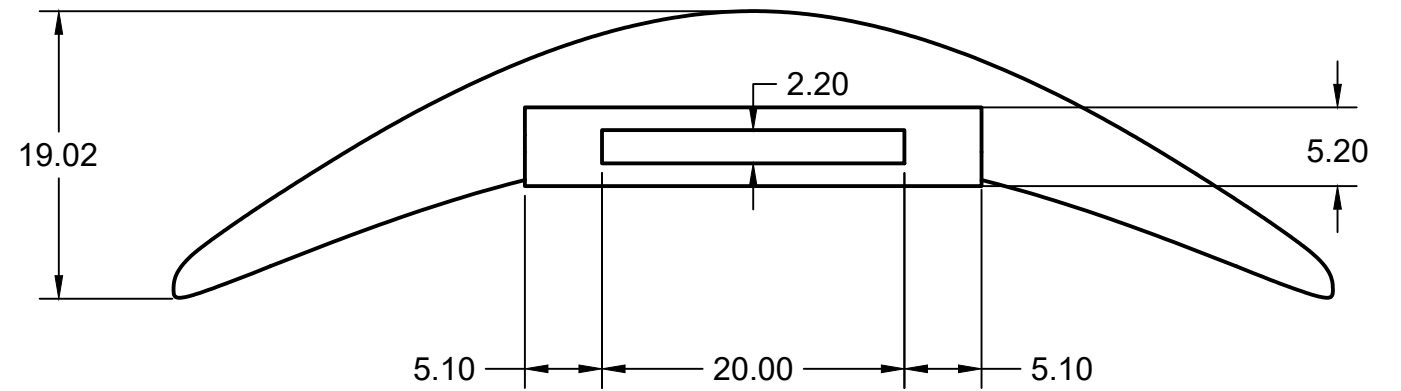
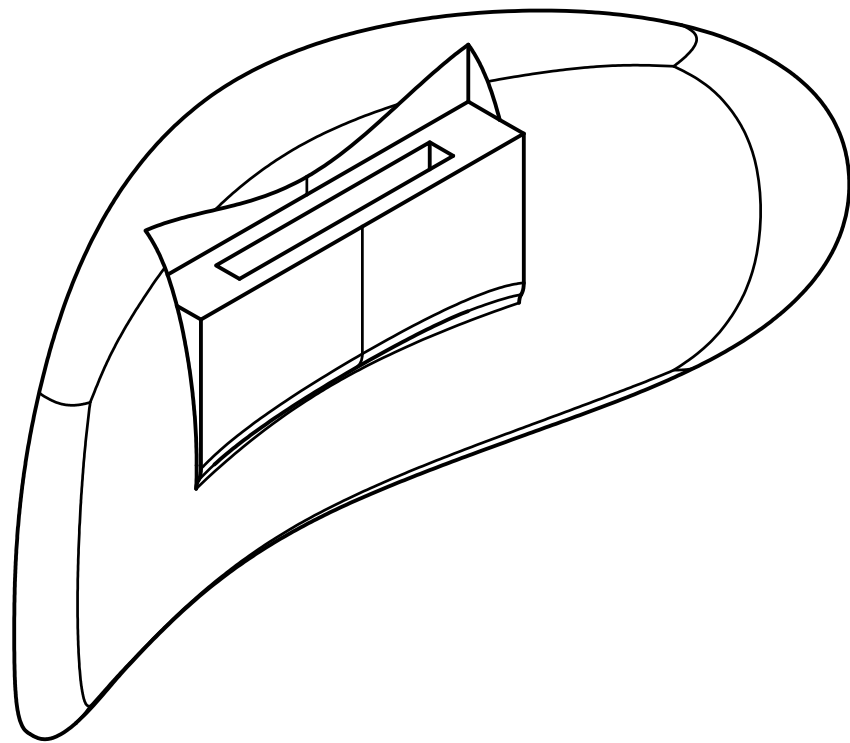
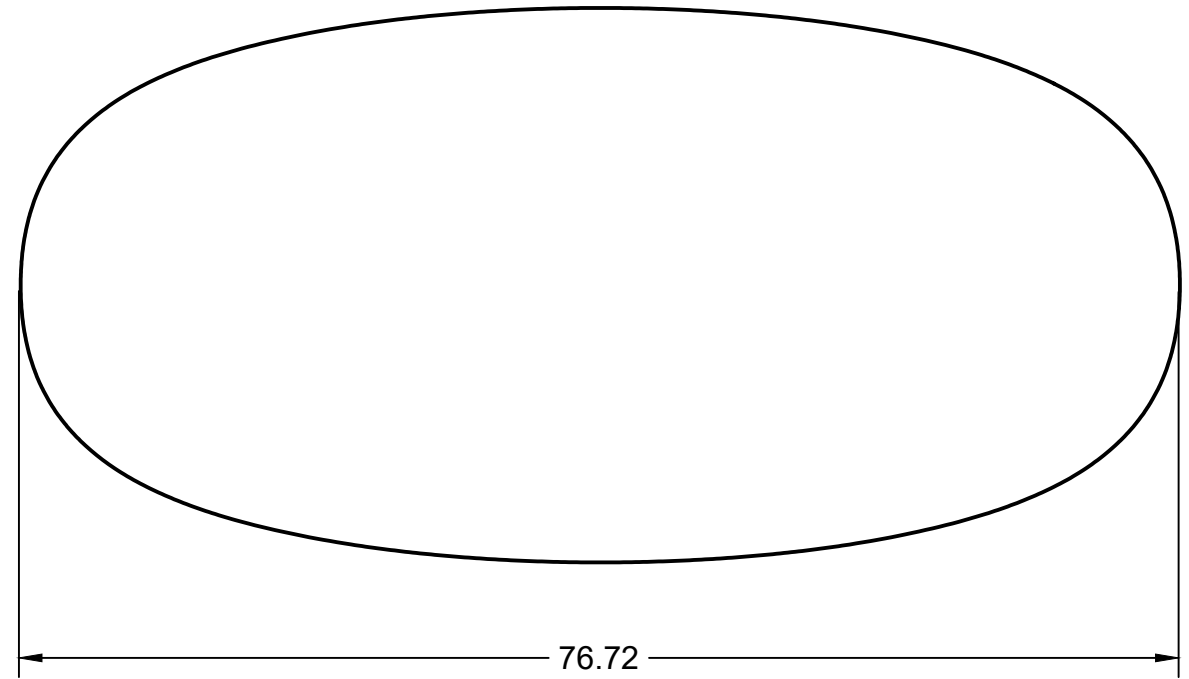
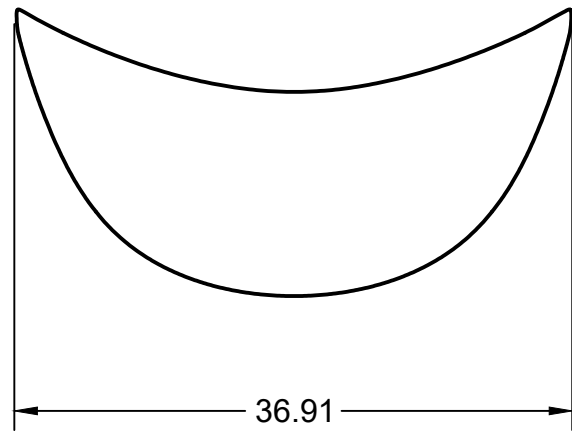
		PROJECT		
		Headphone Stand		
		TITLE		
		Headphone Stand: Fully Assembled		
APPROVED	SIZE	CODE	DWG NO	REV
CHECKED	B		1	3
DRAWN	Jeroen Hustings 30-7-2017	SCALE 1:3	WEIGHT	SHEET 1/4



		PROJECT		
		Headphone Stand		
		TITLE		
		Headphone Stand: Main Frame Part 1		
APPROVED	SIZE	CODE	DWG NO	REV
CHECKED	B		1	3
DRAWN	Jeroen Hustings 30-7-2017	SCALE 1:4	WEIGHT	SHEET 2/4



		PROJECT			
		Headphone Stand			
		TITLE			
		Headphone Stand: Main Frame Part 2			
APPROVED		SIZE	CODE	DWG NO	REV
CHECKED		B		1	3
DRAWN	Jeroen Hustings 30-7-2017	SCALE 1:2		WEIGHT	SHEET 3/4



		PROJECT			
		Headphone Stand			
		TITLE			
		Headphone Stand: Heaphone Rest			
APPROVED		SIZE	CODE	DWG NO	REV
CHECKED		B		1	3
DRAWN	Jeroen Hustings 30-7-2017	SCALE 2:1		WEIGHT	SHEET 4/4