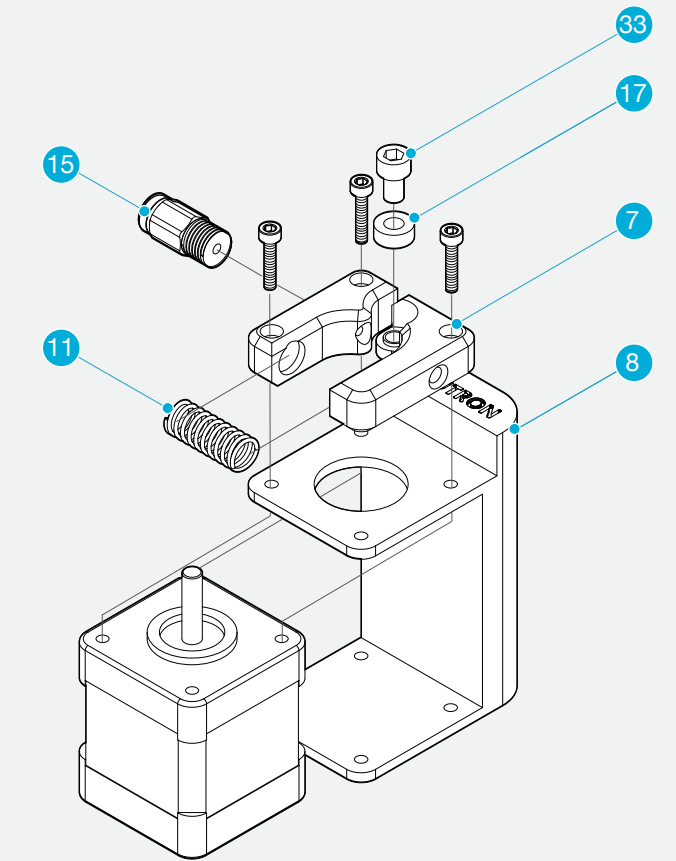
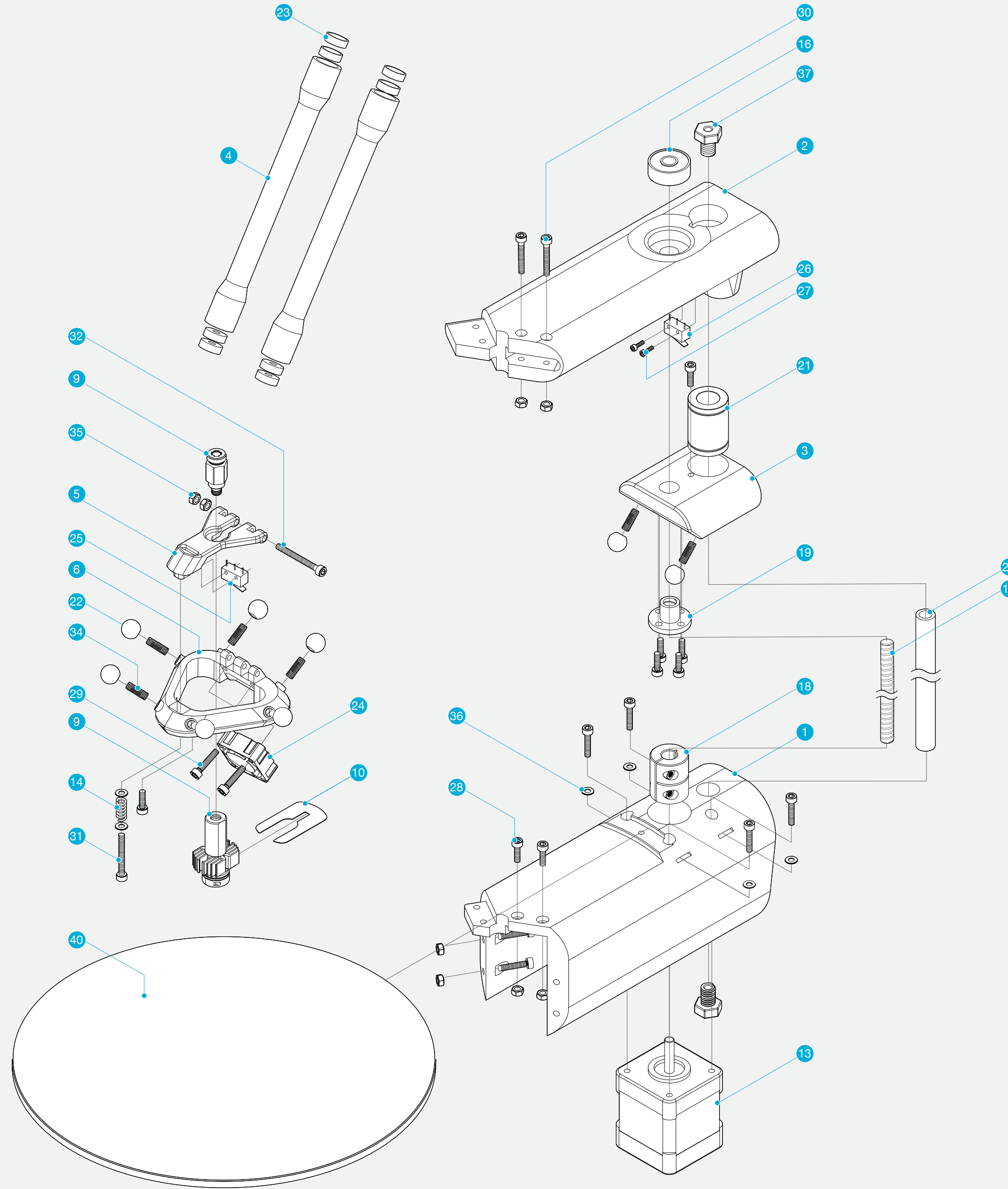
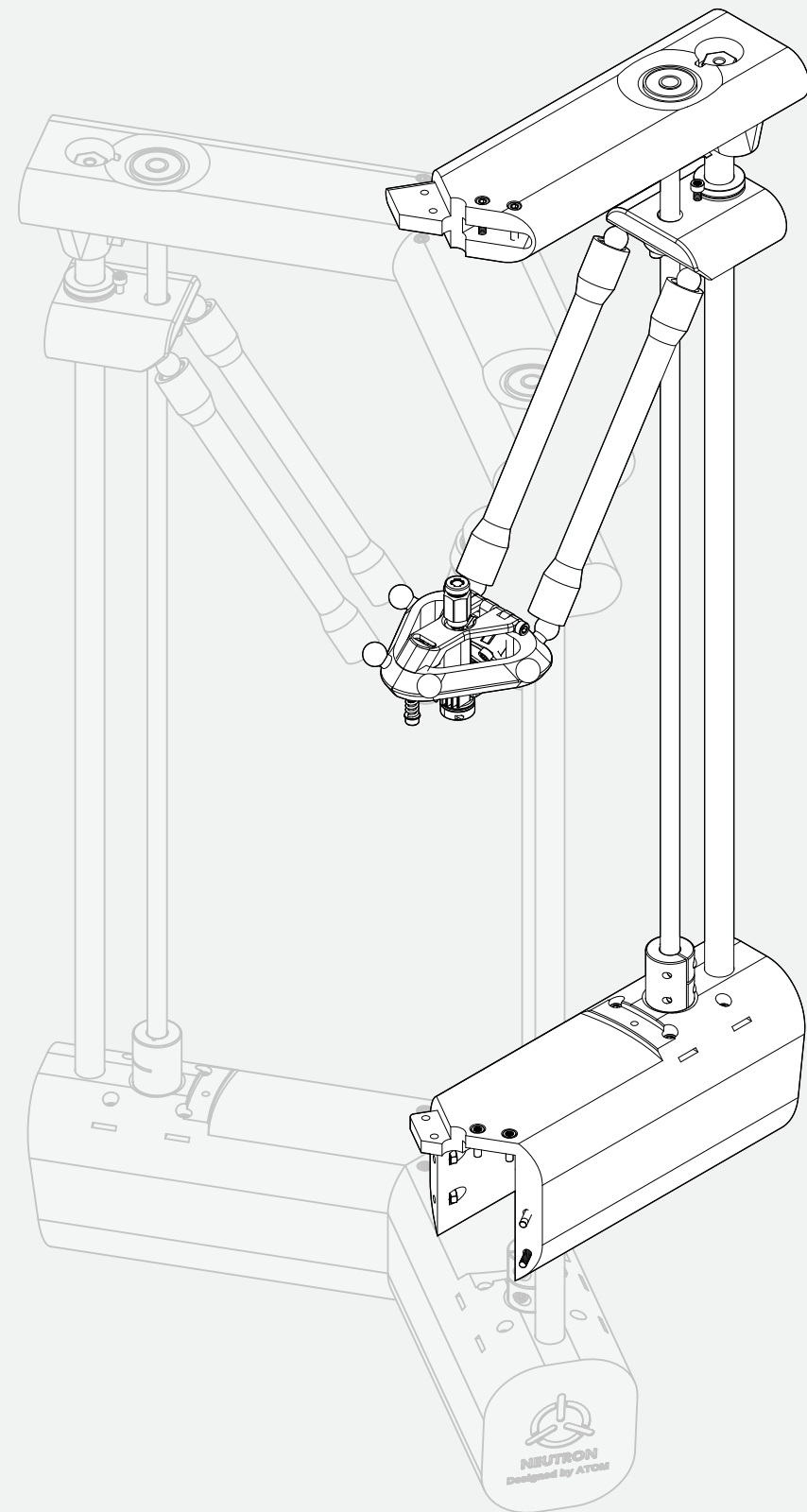




# NEUTRON

## Assembly Drawing



No.	Part Name	Qty
1	Neutron Base	3
2	Neutron Top	3
3	Neutron Cart	3
4	Neutron Rod	6
5	Neutron Effector Cover	1
6	Neutron Effector	1
7	Neutron Plunger - Base and Arm	1
8	Neutron Motor Holder	1
9	ATOM 2.5 MK3 with 0.4mm Nozzle (for 2.5)	1
10	Upper Hotend Windshield	1
11	Extruder Spring v2 ( 8.5 x 1.1 x 11R x 32L)	1
12	Extruder Drive Gear v2 (SUS) with M3-3 Headless Hex	1
13	Stepper Motor 42HS48	4
14	Hotend Endstop Spring (3 x 0.7 x 9R x12L)	1
15	Extruder Side Pneumatic Connector 4-1/8PT	1
16	Bearings 608ZZ (8 x 22 x 7mm)	3
17	Bearings MR105ZZ	1
18	Coupler D20L25	3
19	Screw Shaft $\phi$ 8, 450mm (lead of the twist4)	3
20	Shaft $\phi$ 12 x $\phi$ 7, 470mm	3
21	Bearings LM12UU	3
22	$\phi$ 10 mm, M4 Threaded 8mm ball end	12
23	magnet ( $\phi$ 10 x 4mm)	24
24	2510 Back Fan (685mm Green Orange 28AWG)	1
25	Head Endstop (940mm Black 28AWG)	1
26	XYZ Endstop (1200mm Black 28AWG)	3
27	M2-8 Hex Screw [NYLOK]	8
28	M3-10 Hex Screw	22
29	M3-15 Hex Screw	26
30	M3-20 Hex Screw	6
31	M3-25 Hex Screw	1
32	M3-40 Hex Screw	1
33	M5-8 Hex Screw	1
34	M4-12 Headless Hex	12
35	M3 Nut	20
36	M3 Washer	14
37	M8-10 Cored Screw	6
38	PTFE Tube (2 x 4 x 950mm, Single)	1
39	Cable Tube (1000 mm)	1
40	Glass Print Bed $\phi$ 220mm	1